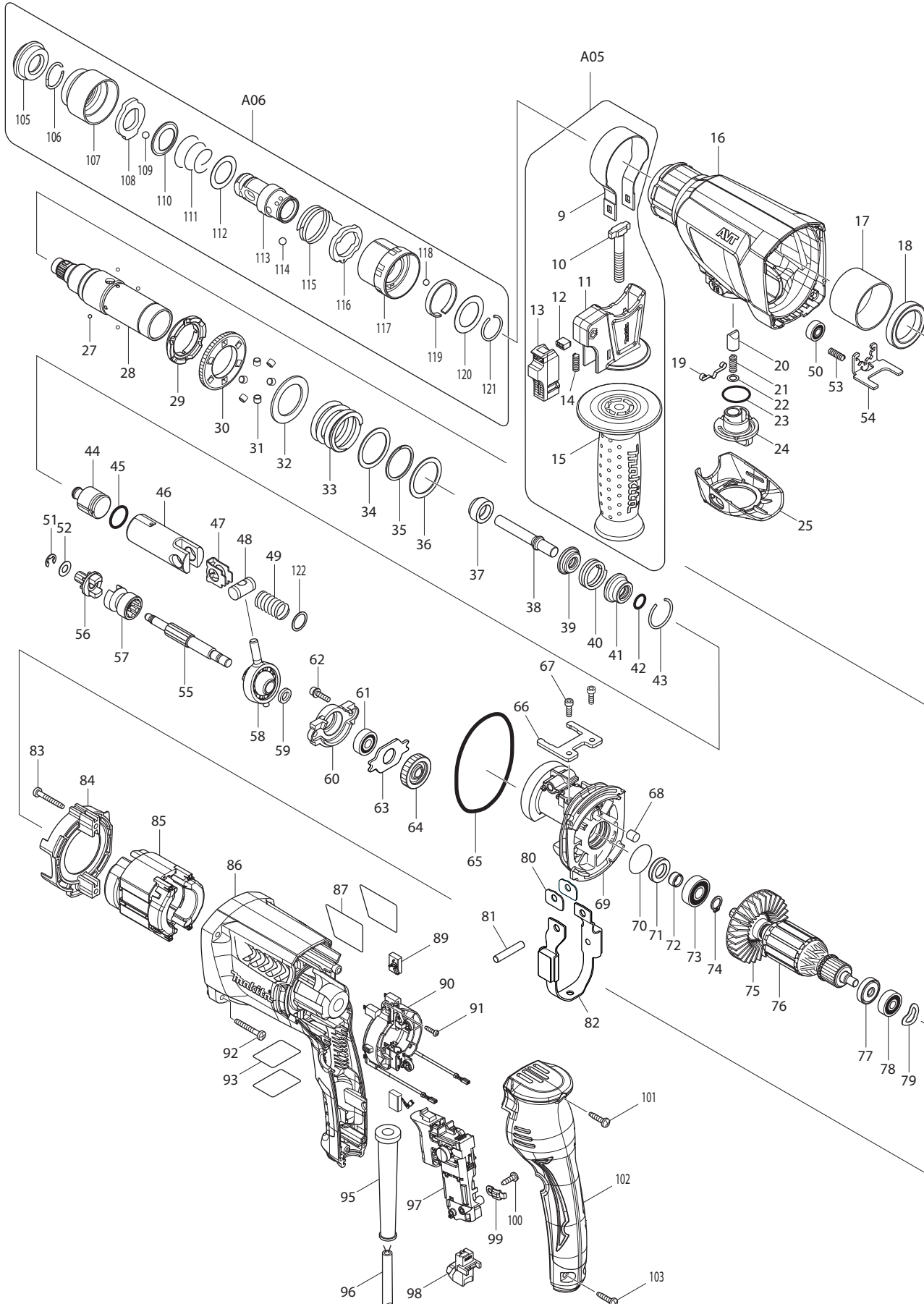




04 - 2011
HR2611FT
1" ROTARY HAMMER, AVT, QC



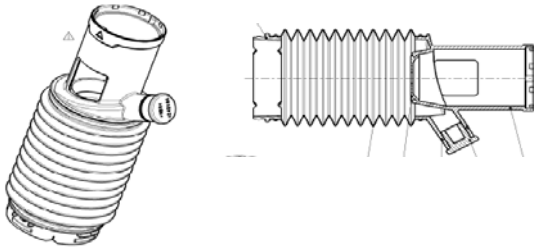
Item No	Type	Ref	Part No	Description	Qty	Unit
9			346181-9	GRIP SPRING 50	1	PC.
10			266349-0	SQUARE BOLT M8X50	1	PC.
11			451539-0	GRIP BASE	1	PC.
12			313179-1	* RACK (OLD - N/L/A as individually)	1	PC.
13	1		451540-5	* LOCK BUTTON	1	PC.
	2		141765-6	* LOCK BUTTON COMPLETE	1	PC.
14			233360-7	COMPRESSION SPRING 4	1	PC.
15			154935-8	GRIP 36 COMPLETE	1	PC.
16			140423-1	GEAR HOUSING COMPLETE	1	PC.
		INC.	213636-8	OIL SEAL 25	1	PC.
		INC.	816445-0	INDICATION LABEL	1	PC.
17			331890-3	CUP SLEEVE	1	PC.
18			211294-4	BALL BEARING 6806LLU	1	PC.
19			232152-1	LEAF SPRING	1	PC.
20	2		326850-8	* PUSH CORN	1	PC.
21			234147-0	COMPRESSION SPRING 5	1	PC.
22			253308-3	THIN WASHER 6	1	PC.
23			213381-5	O RING 21	1	PC.
24			451529-3	CHANGE LEVER A	1	PC.
25			451530-8	CHANGE LEVER COVER A	1	PC.
27			216019-1	STEEL BALL 3	4	PC.
28			140266-1	TOOL HOLDERGUIDE COMPLETE	1	PC.
29	1		313149-0	* DRIVING FLANGE	1	PC.
	2		332139-4	* DRIVING FLANGE	1	PC.
30	1		227232-6	* SPUR GEAR 51	1	PC.
	2		227360-7	* SPUR GEAR 51	1	PC.
31			268226-2	* PIN 6 - N/A	6	PC.
32			267414-8	* FLAT WASHER 30 - N/A	1	PC.
33			234148-8	COMPRESSION SPRING 31	1	PC.
34			267153-0	FLAT WASHER 30	1	PC.
35			257932-4	SPIRO LOCK WASHER 30	1	PC.
36			267153-0	FLAT WASHER 30	1	PC.
37			325783-4	SLEEVE 9B	1	PC.
38			325791-5	IMPACT BOLT B	1	PC.
39			325792-3	WASHER 10	1	PC.
40			234149-6	COMPRESSION SPRING 20	1	PC.
41			325793-1	O-RING CASE B	1	PC.
42			213073-6	O RING 9	1	PC.
43			233979-2	RING SPRING 28	1	PC.
44			325784-2	STRIKER	1	PC.
45			213258-4	O RING 17.5	1	PC.
46			310345-1	PISTON CYLINDER	1	PC.
47			346036-8	GUIDE PLATE	1	PC.
48			324215-8	PISTON JOINT	1	PC.
49			234098-7	COMPRESSION SPRING 14	1	PC.
50	1		211012-0	BALL BEARING 606ZZ	1	PC.
	2		210028-2	BALL BEARING 606ZZ	1	PC.
51	2		257336-0	* STOP RING EXT U-6	1	PC.
52	2		253186-1	* FLAT WASHER 7	1	PC.
53			233360-7	COMPRESSION SPRING 4	1	PC.
54			346176-2	LOCK PLATE	1	PC.
55			325786-8	CAM CHAFT	1	PC.
56			227231-8	SPUR GEAR 10	1	PC.
57	2		326849-3	* CLUTCH CAM A	1	PC.
58			219020-5	SWASH BEARING 10	1	PC.
59			267234-0	FLAT WASHER 8	1	PC.

Item No	Type	Ref	Part No	Description	Qty	Unit
60			310344-3	BEARING BOX	1	PC.
61			211032-4	BALL BEARING 608ZZ	1	PC.
62			266437-3	HEX. SOCKET HEAD BOLT M4X16	2	PC.
63			285735-6	BEARING RETAINER	1	PC.
64			227719-8	HELICAL GEAR 26	1	PC.
65			213728-3	O-RING 68	1	PC.
66			346222-1	PLATE	1	PC.
67			265353-6	HEX. SOCKET HEAD BOLT M4X12	2	PC.
68	1		443153-6	FELT (OLD) (F/TYPE 1 INNER HOUSING #140267-9)	1	PC.
69	1		140267-9	INNER HOUSING COMPLETE	1	PC.
	2		141573-5	* INNER HOUSING COMPLETE	1	PC.
70			213407-3	O RING 26	1	PC.
71	1		213133-4	OIL SEAL 12 W/GARTER SPRING	1	PC.
	2		213678-2	OIL SEAL 12 W/O GARTER SPRING	1	PC.
72			262569-4	SLEEVE 9	1	PC.
73			211097-6	BALL BEARING 6000LLB	1	PC.
74			961006-2	RETAINING RING S-10	1	PC.
75			240121-8	FAN 65	1	PC.
76			515356-3	ARMATURE ASSEMBLY 115V	1	PC.
		INC.		Item No. 72-75,77,78		
77			681652-2	INSULATION WASHER	1	PC.
78			210023-2	BALL BEARING 627DDW	1	PC.
79			267804-5	WAVE WASHER 15	1	PC.
80			346180-1	WEIGHT HOLDER GUIDE	2	PC.
81			256246-8	PIN 6	1	PC.
82			165593-5	COUNTER WEIGHT	1	PC.
83			266361-0	TAPPING SCREW 4X30	2	PC.
84			451527-7	BAFFLE PLATE	1	PC.
85			626631-3	FIELD 115V	1	PC.
86			451535-8	MOTOR HOUSING	1	PC.
87			867747-7	HR2611FT NAME PLATE	1	PC.
89			195001-2	CARBON BRUSH CB-325 2PC/SET (W/ ORIGIN)	1	SET
90			638655-7	BRUSH HOLDER UNIT	1	PC.
91			266556-5	TAPPING SCREW 3X12	2	PC.
92			266361-0	TAPPING SCREW 4X30	4	PC.
93			867751-6	HR2611FT SERIAL NO.LABEL	1	PC.
95			682559-5	CORD GUARD 8	1	PC.
96			664895-1	CORD W/PLUG 2P-18-4.0M, SJ	1	PC.
97			650626-4	SWITCH	1	PC.
98			631936-8	LIGHT CIRCUIT	1	PC.
99			687681-3	STRAIN RELIEF	1	PC.
100			266385-6	TAPPING SCREW 4X14	1	PC.
101			266326-2	TAPPING SCREW 4X18	1	PC.
102			451528-5	HANDLE COVER	1	PC.
103			266326-2	TAPPING SCREW 4X18	2	PC.
105			286263-4	CAP 35	1	PC.
106			233940-9	RING SPRING 19	1	PC.
107			418217-5	CHUCK COVER	1	PC.
108			345333-9	STOPPER	1	PC.
109			216022-2	STEEL BALL 7.0	1	PC.
110			345187-4	GUIDE WASHER	1	PC.
111			233916-6	CONICAL COMP. SPRING 21-29	1	PC.
112			267279-8	FLAT WASHER 21	1	PC.
113			324355-2	TOOL HOLDER	1	PC.
114			216013-3	STEEL BALL 6	2	PC.
115			231669-1	TORSION SPRING 31	1	PC.

Item No	Type	Ref	Part No	Description	Qty	Unit
116			345334-7	CHANGE RING	1	PC.
117			418218-3	CHANGE COVER	1	PC.
118			216018-3	STEEL BALL 5.0	1	PC.
119			345335-5	LEAF SPRING	1	PC.
120			267270-6	FLAT WASHER 24	1	PC.
121			233924-7	RING SPRING 21	1	PC.
122			267447-3	FLAT WASHER 14	1	PC.
<u>ACCESSORIES</u>			- See catalogue or visit www.makita.ca for more optional accessories -			
A01			331886-4	DEPTH GAUGE	1	PC.
A02			140403-7	PLASTIC CASE COMPLETE	1	PC.
		INC.	162302-3	LATCH	2	PC.
		INC.	324319-6	SHAFT	1	PC.
		INC.	451749-9	HANDLE	1	PC.
A04			194079-2	QUICK CHANGE DRILL CHUCK	1	PC.
A05			122878-2	GRIP ASSEMBLY	1	PC.
		INC.		Item No. 9-15		
A06			194080-7	QUICK CHANGE SDS-PLUS CHUCK	1	PC.
		INC.		Item No. 105-121		
A07			122574-2	1/2" DRILL CHUCK ASS'Y(W/SDS-PLUS CHUCK ADAPTOR)	1	PC.
A08			191686-2	SAFETY GOGGLE	1	PC.
A09	1		192664-5	1/2" KEYLESS DRILL CHUCK	1	PC.
	2		194254-0	1/2" KEYLESS DRILL CHUCK SET	1	PC.
			192892-2	1/2" KEYLESS DRILL CHUCK	1	PC.
A10			192877-8	1/2" DRILL CHUCK	1	PC.
A11			D-14093	CHUCK ADAPTER F/SLIDE CHUCK(SDS-PLUS)	1	PC.
		INC.	751106-4	CHUCK ADAPTER, SDS-PLUS	1	PC.
		INC.	251425-3	- FLANGE HEAD SCREW M6X22	1	PC.
A12			194683-7	GREASE VESSEL SET, 100CC, PUMP TYPE, FOR BIT	1	PC.
A13			195132-7	DUSTCUP SET	1	PC.
		INC.	213310-8	O RING 20	1	PC.
		INC.	424268-8	CAP 39	1	PC.
		INC.	424269-6	DUST CAP	1	PC.
		INC.	451541-3	BELLOWS	1	PC.
		INC.	451543-9	ATTACHMENT	1	PC.
		INC.	451909-3	JOINT	1	PC.
A14			256806-6	ROD 10 F/REMOVING CORE BIT	1	PC.
			256815-5	ROD 15 F/REMOVING CORE BIT	1	PC.
A15			A-30106	SCRAPER ASSY(SDS-PLUS)	1	PC.
		INC.	343411-9	CUTTER	1	PC.
A16			421342-3	DUST CUP 5	1	PC.
A17			421664-1	DUST CUP 9	1	PC.
A18			421755-8	WATERPROOF COVER	1	PC.
A19			195108-4	HAMMER SERVICE KIT	1	PC.
		INC. TP1	194074-2	CARBON BRUSH CB-325 2PC/SET	1	SET
		INC. TP2	195001-2	CARBON BRUSH CB-325 2PC/SET	1	SET
		INC.	195127-0	OIL VESSEL SET	2	PC.
		INC.	213073-6	O RING 9	1	PC.
		INC.	213258-4	O RING17.5	1	PC.
		INC.	216022-2	STEEL BALL 7.0	1	PC.
		INC.	233979-2	RING SPRING28	1	PC.
		INC.	286263-4	CAP 35	1	PC.
A21			763432-9	CHUCK KEY S13 (F/ Item No. A10)	1	PC.
A22			765009-6	BLOW-OUT BULB 64	1	PC.

Item No	Type	Ref	Part No	Description	Qty	Unit
---------	------	-----	---------	-------------	-----	------

195132-7 DUST CUP SET (Item No. A13)



SERVICE CHANGES

1. Changes on Stop Ring and Flat Washer 7 (T/I# 93973)

Item No.	Description	Type 1	Type 2
51	Stop Ring	961012-7	257336-0
52	Flat Washer 7	267449-9	253186-1

Above parts are completely interchangeable as a set.

2. Changes on Lock Button (T/I# 95260)

Item No.	Description	Type 1	Type 2
12	Rack	313179-1	-----
13	Lock Button	451540-5	141765-6

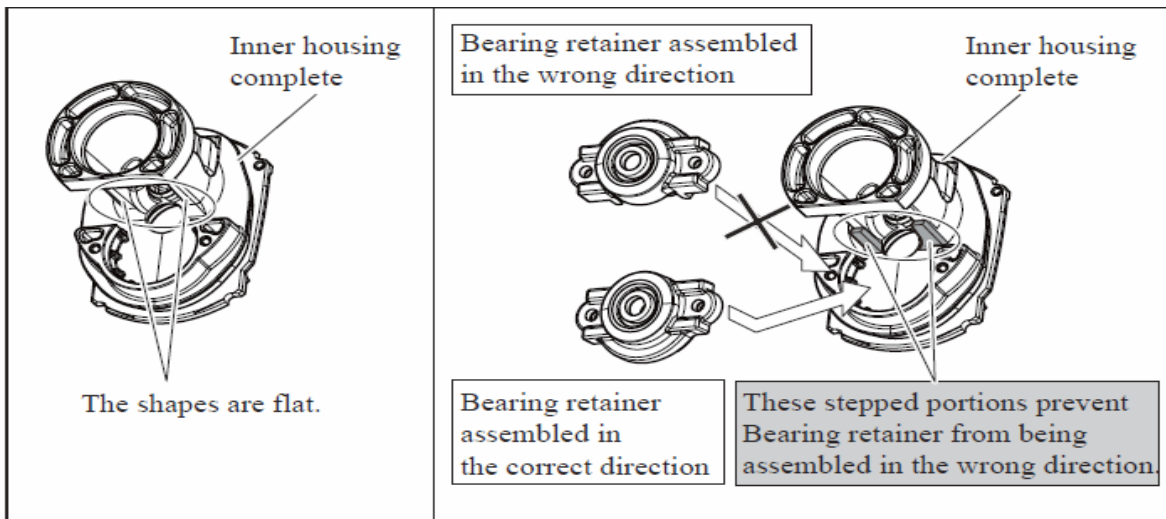
Above parts are completely interchangeable as a set.

3. Changes on Inner housing complete (T/I# A0282)

Item No.	Description	Type 1	Type 2
69	Inner housing complete		141573-5

From April 2013 production

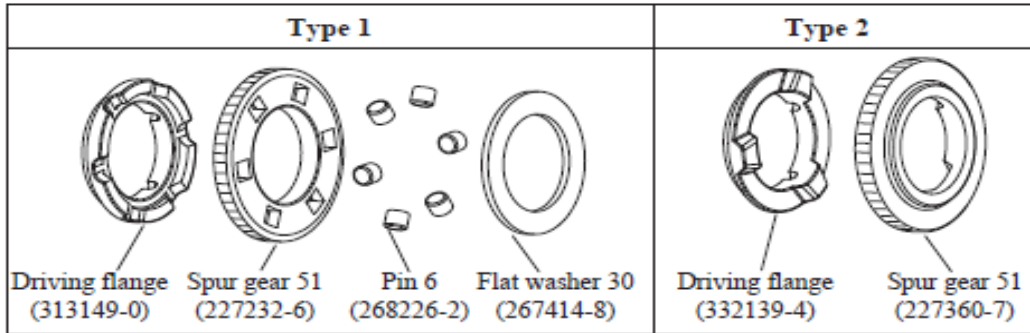
Type 1 Type 2



4. Changes on Spur gear 51 and Driving flange

Item No.	Description	Type 1	Type 2
30	Spur Gear 51	227232-6	227360-7
29	Driving Flange	313149-0	332139-4
32	Flat Washer 30	267414-8	-----
31	Pin 6	268226-2	-----

Above parts are completely interchangeable as a set.
From January 2015 production



5. Changes on Clutch Cam A and Push Corn

(TI#B4855)

Item No.	Description	Type 1	Type 2
20	Push Corn	325785-0	326850-8
57	Clutch Cam A	331814-9	326849-3

Above parts are completely interchangeable as a set.

